

# Glazed-in ventilators > THK90-AR90

## THK90 –AR90

**THK90: Flapvent with external hood for improved weather protection**

**AR90: Self-regulating flapvent with external hood for improved weather protection**

### Introduction

The THK90 is an aluminium thermally broken flapvent for installation in aluminium, timber and uPVC window frames. The flat punched internal profile serves as an insect mesh and can easily be cleaned.

The internal flap can be set in 5 stepped positions (open/closed + 3 intermediate).

The AR90 is the self-regulating version of the THK90. A self-regulating flap is integrated, reacting automatically to various wind pressures and thus preventing draughts. Compared to the THM90<sup>EVO</sup>, The THK90 and AR90 have an external hood for additional weather protection.

### Material

Internal and external profile: extruded AlMgSi 0.5 aluminium (according to EN 12020-2 and EN AW-6063)  
Finishing: satin anodised (E6/EV1-SAA) or powdercoated in any RAL or Syntha Pulvin® colour (dual colour possible)

Thermal bridge: extruded uPVC (according to DIN 16941)

End caps: ASA polymer type Luran® S (colour-fast, weather- and UV-resistant)

End caps are available in black or white, other colours available upon request

### Dimensions

Glass reduction: 90 mm

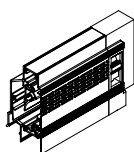
Height: 105 mm

Glass thickness: 20, 24 or 28 mm

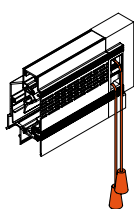
Maximum length: 2500 mm



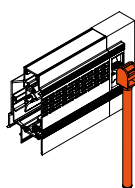
### Controls



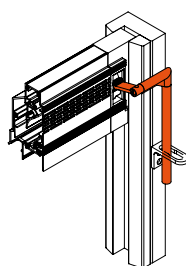
Manual control



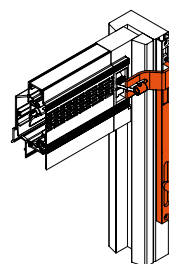
Cord control



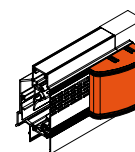
Rod control  
(hook-up) nr.134



Rod control with  
transmission nr.135



Rod control with  
sliding knob nr.136



Motor control  
length: 70mm,  
height: 63 mm,  
depth: 30 mm

# Glazed-in ventilators > THK90-AR90

## Assembly

The THK90 and AR90 have been developed for easy and swift fabrication from bar lengths (6000 mm) and are also available made to measure.

- Cut the ventilator to size from a 6-meter bar length: length of the profile = width of the glazing – 87 mm
- Fix the end caps onto the profiles

## Installation

The THK90 and AR90 can be installed glazed-in or at transom (using the additional transom profiles).

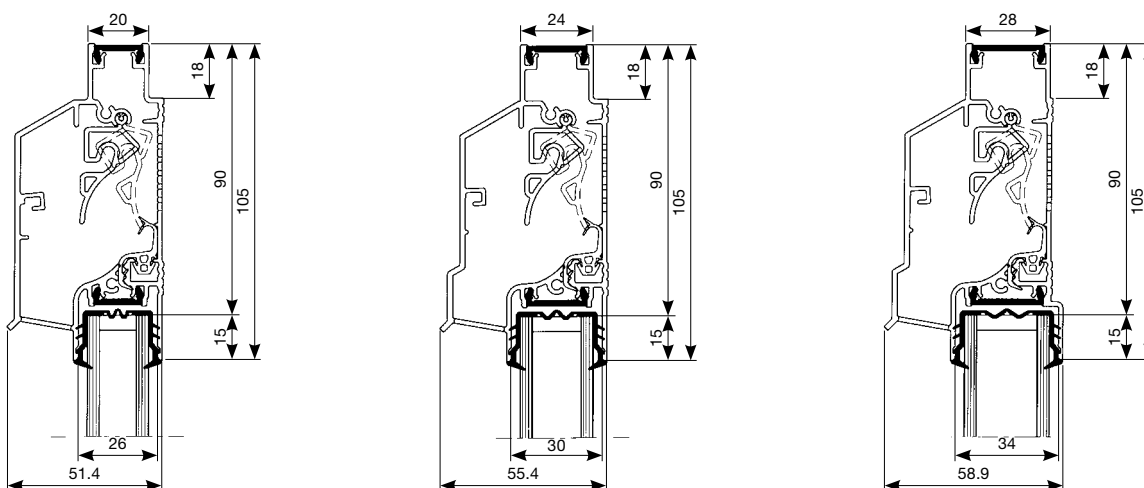
We recommend the use of glazing gasket Renson® nr.039 or nr.034 (20-28 mm) between the THK90 - AR90 and the glazing (see the installation manual).

## Cleaning and Maintenance

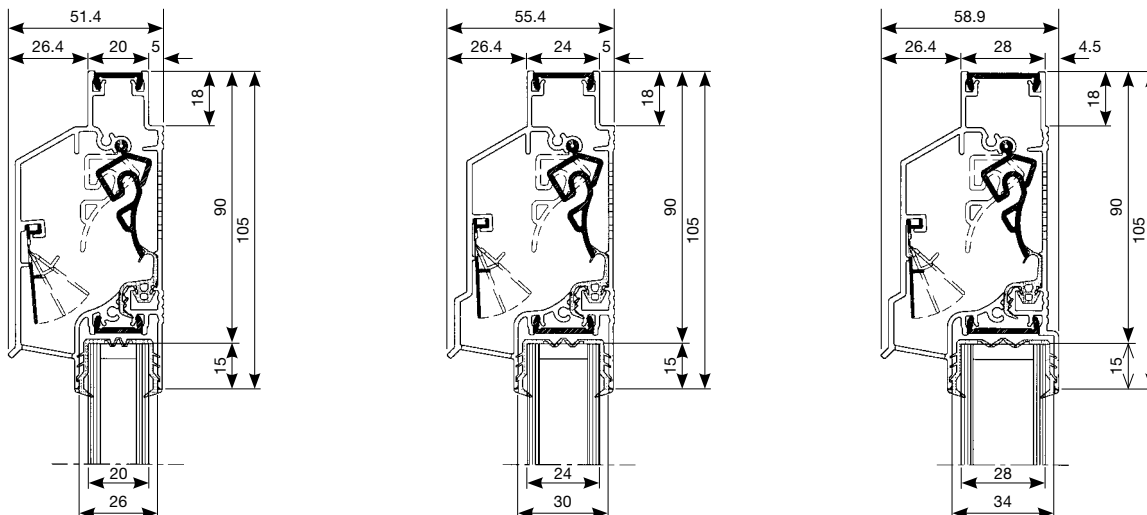
The THK90 and AR90 can easily be cleaned with a damp cloth or vacuum cleaner.

## Section detail

THK90



AR90



## Glazed-in ventilators > THK90-AR90

### Technical specifications

	THK90	AR90
<b>AIRFLOW</b>		
Q at 2 Pa	57,9 m³/h/m	56,2 m³/h/m
Q at 2 Pa	16,1 l/s/m	15,6 l/s/m
Q at 1 Pa	11,6 l/s/m	11,2 l/s/m
Equivalent area	14736 mm²/m	14252 mm²/m
<b>COMFORT</b>		
Sound reduction Dn,e,w (C;Ctr)		
- in open position	28 (0;-1) dB	30 (-1;-2) dB
- in closed position	44 (0;-1) dB	45 (-1;-3) dB
<b>TECHNICAL CHARACTERISTICS</b>		
Controllable	5 stepped positions	
U-value	3,9 W/m²K	
f value	0,54	
Self-regulating	No	Yes
Self-regulating class	P0	P3
Airflow leakage at 50 Pa	<15% (in closed position)	
Insect mesh	Yes	
Watertightness in closed position, up to	650 Pa	
Watertightness in open position, up to	50 Pa	100 Pa
Thermally broken	Yes	

